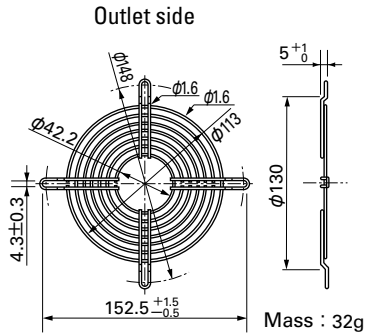


**Options (unit: mm)**

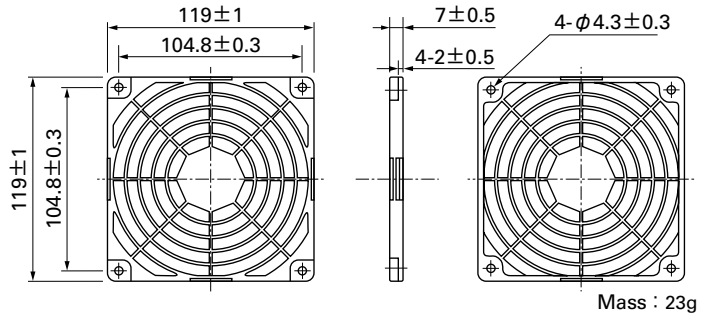
**Finger Guards**

Model : 109-019C Surface treatment : Nickel-chrome plating (silver) Color (silver)  
 : 109-019H : Cation electropainting (black)



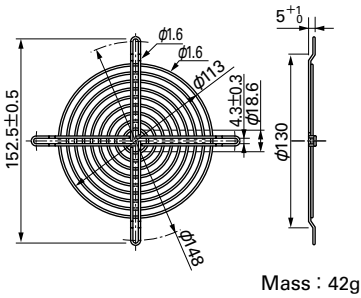
**Resin Finger Guards**

Model : 109-1000G



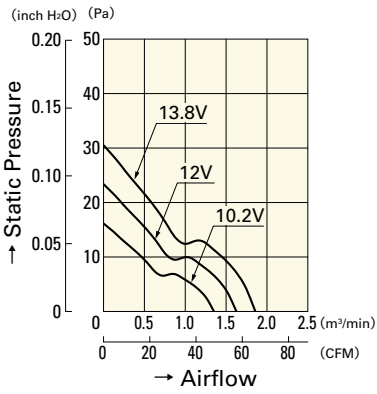
Model : 109-019E Surface treatment : Nickel-chrome plating (silver) Color (silver)  
 : 109-019K : Cation electropainting (black)

**Inlet side, Outlet side**



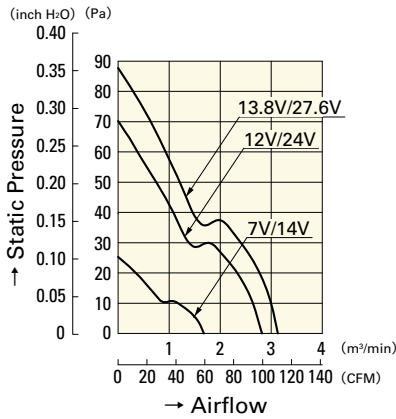
**Airflow - Static Pressure Characteristics**

**L speed**



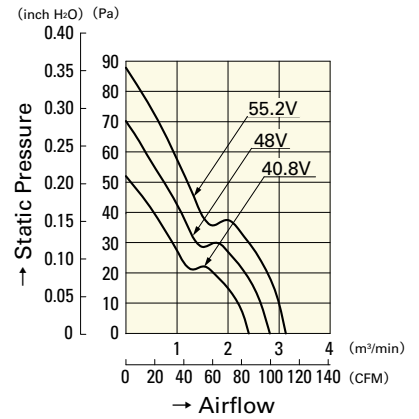
**9WP1212L101**

**H speed**



**9WP1212H101**  
**9WP1224H101**

**H speed**



**9WP1248H101**