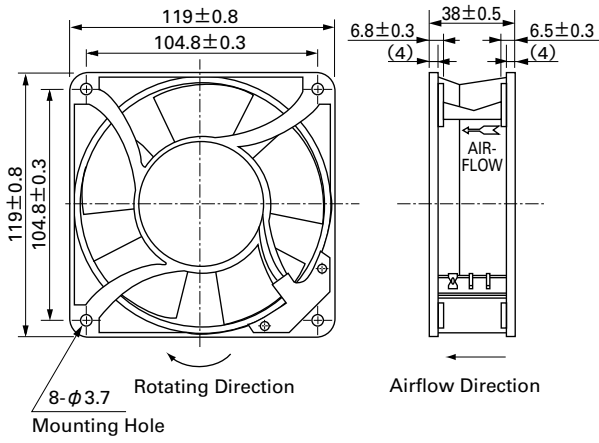


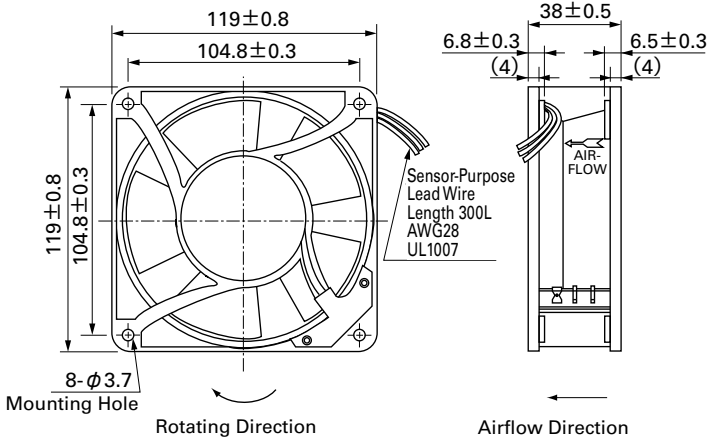
**Dimensions (unit: mm)**

**Standard**

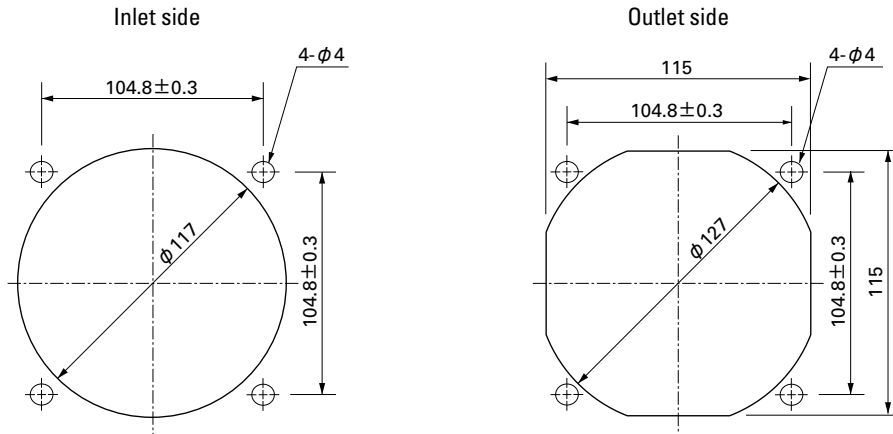


**with Sensor**

When mounting the model with a sensor, please screw-mount through both flanges as it has a sensor box.

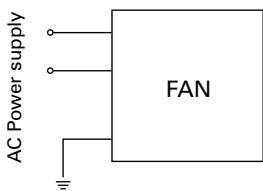


**Reference Dimensions of Mounting Holes and Vent Opening (unit: mm)**



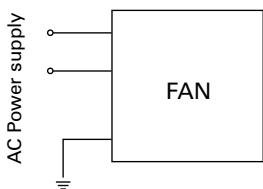
**Wiring Diagram**

**Standard**

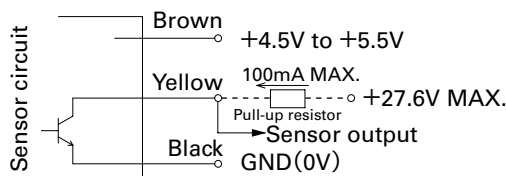


**with Sensor**

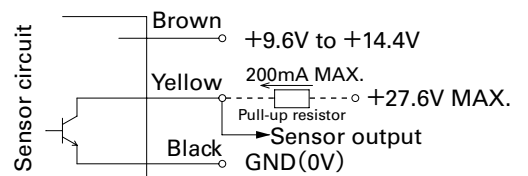
(For fan power supply)



**5V (ITEM-20)**



**12V (ITEM-30)**



GND (Black) should be shared in case that power supply for sensor circuit (Brown) and that for sensor pull-up (Yellow) are separated.

**120** mm sq.

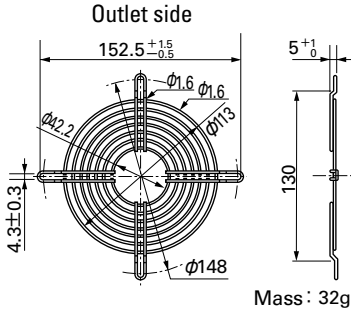
# San Ace 120

**120×120×38mm** [Mass : 550g / 580g (with Sensor)]

## Options (unit: mm)

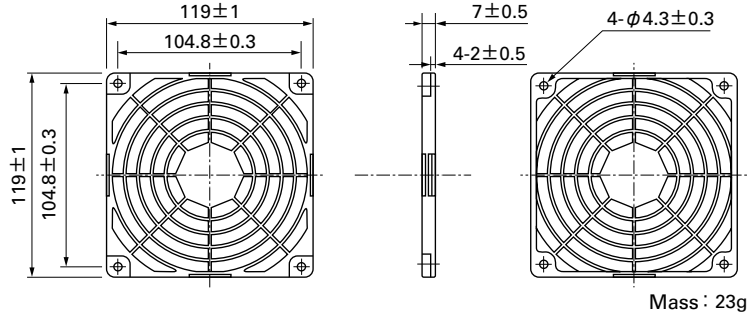
### Finger Guards

Model : 109-019C Surface treatment : Nickel-chrome plating (silver) Color  
: 109-019H : Cation electropainting (black)



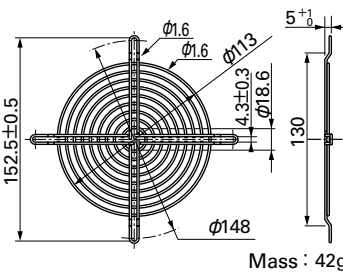
### Resin Finger Guards

Model : 109-1000G



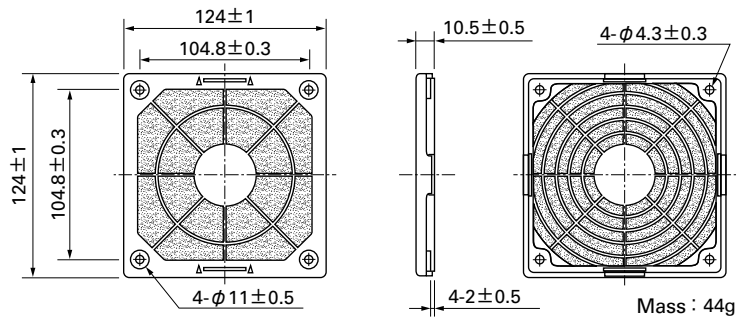
Model : 109-019E Surface treatment : Nickel-chrome plating (silver) Color  
: 109-019K : Cation electropainting (black)

### Inlet side, Outlet side



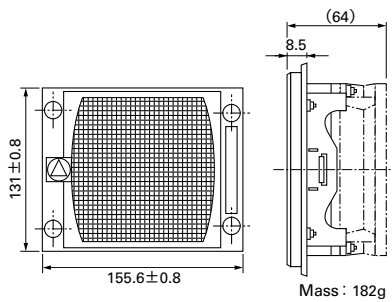
### Resin Filter Kits

Model : 109-1000F13 (13PPI), 109-1000F20 (20PPI), 109-1000F30 (30PPI), 109-1000F40 (40PPI)



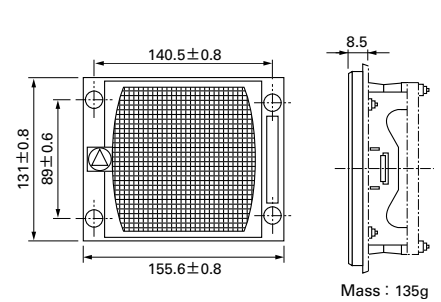
### Filter Kits

Model : 109-018 Applicable models : AC Fan 120×120×38mm



### Screen Kits

Model : 109-020 Applicable models : AC Fan 120×120×38mm

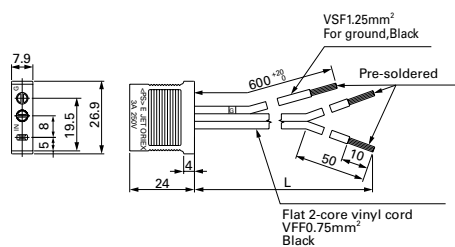


Neither filterkit nor screenkit can be installed on fans with sensor.

## Plug Cord

Exclusive for fans without UL at the end of the model number.

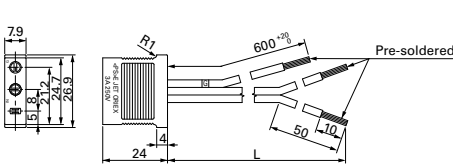
(Products compliant with Electrical Appliance and Material Safety Law)  
Model : 489-006-L10/489-006-L21/489-006-L35



Model	Power cord length (L) [mm]	Mass [g]
489-006-L10	1,000	47
489-006-L21	2,100	76
489-006-L35	3,500	114

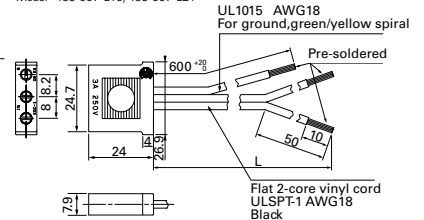
Exclusive for fans with UL at the end of the model number.

(Products compliant with Electrical Appliance and Material Safety Law)  
Model : 489-037-L10/489-037-L21/489-037-L35



(UL/CSA CERTIFIED)

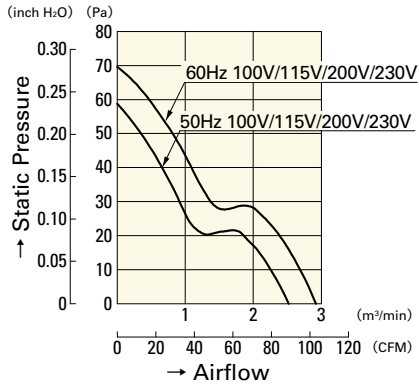
UL FILE No.E50197 CSA FILE No.LR67048  
Model : 489-007-L10/489-007-L21



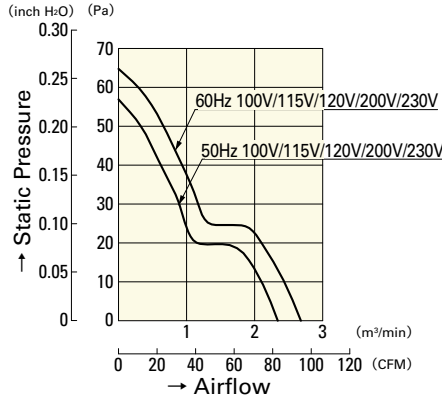
Model	Power cord length (L) [mm]	Mass [g]
489-037-L10	1,000	46
489-037-L21	2,100	76
489-037-L35	3,500	114
489-007-L10	1,000	48
489-007-L21	2,100	80

## Airflow - Static Pressure Characteristics

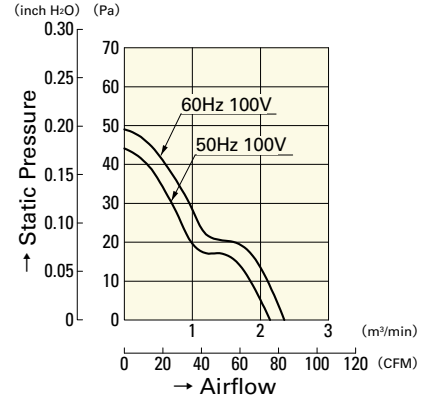
### Standard



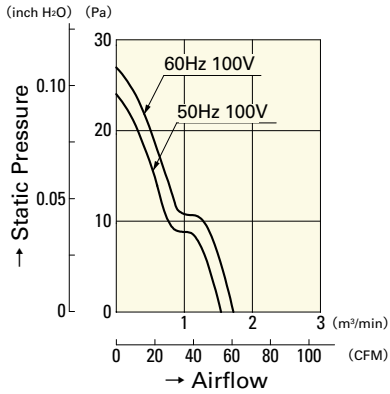
**109S075UL**    **109S074UL**  
**109S078UL**    **109S072UL**



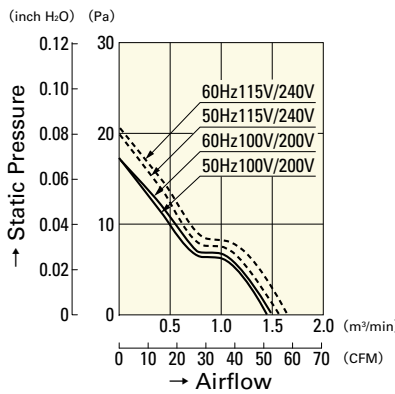
**109S005**    **109S005UL**  
**109S024**    **109S024UL**  
**109S008**    **109S008UL**  
**109S025**    **109S025UL**



**109S029UL**

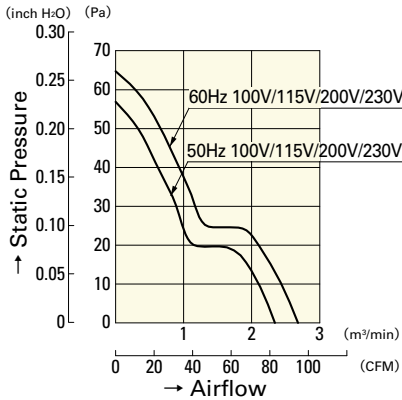


**109S013**  
**109S013UL**

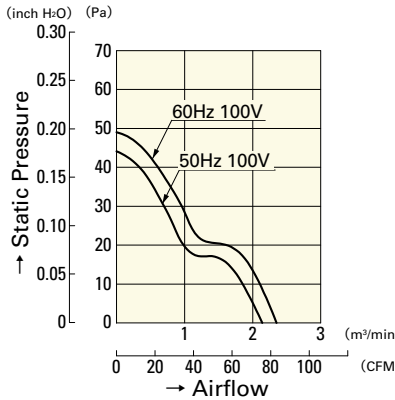


**109S006**    **109S006UL**  
**109S010**    **109S010UL**

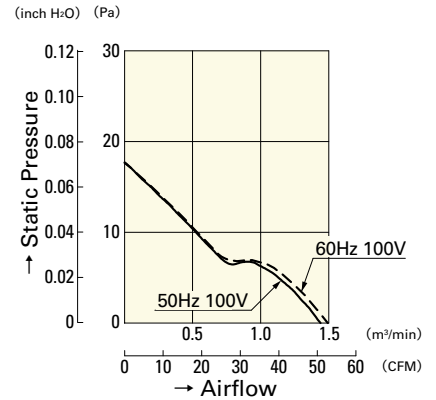
### with Sensor



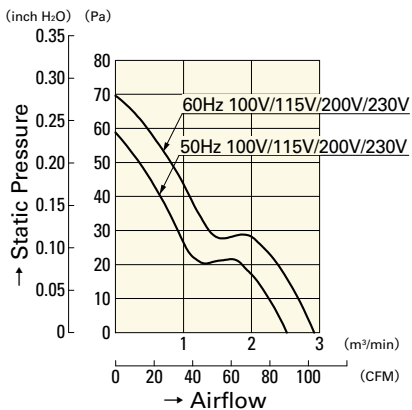
**109S405UL**    **109S424UL**  
**109S408UL**    **109S425UL**



**109S429UL**



**109S406UL**



**109S475UL**    **109S474UL**  
**109S478UL**    **109S472UL**