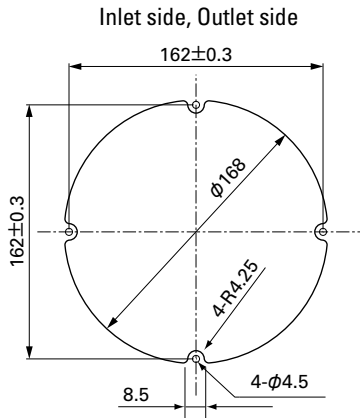
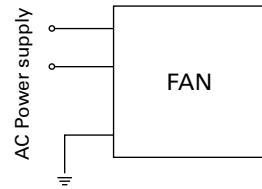


## Reference Dimensions of Mounting Holes and Vent Opening (unit: mm)



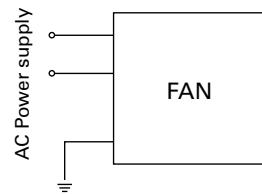
## Wiring Diagram

### Standard

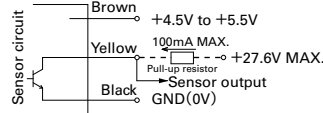


### with Sensor

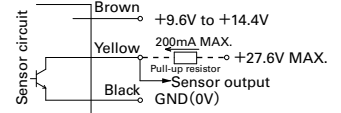
(For fan power supply)



### 5V (ITEM-20)



### 12V (ITEM-30)



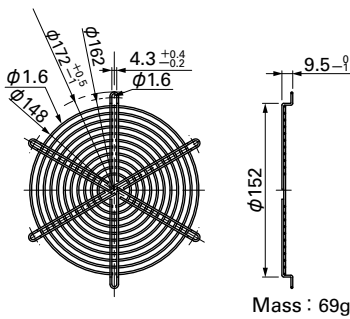
GND (Black) should be shared in case that power supply for sensor circuit (Brown) and that for sensor pull-up (Yellow) are separated.

## Options (unit: mm)

### Finger Guards

Model : 109-319E Surface treatment : Nickel-chrome plating (silver) Color : 109-319H : Cation electropainting (black)

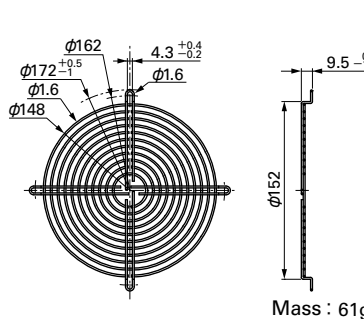
Inlet side, Outlet side



Mass : 69g

Model : 109-1066 Surface treatment : Nickel-chrome plating (silver) Color

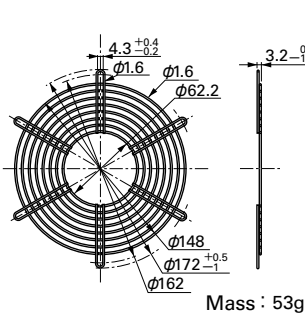
Inlet side, Outlet side



Mass : 61g

Model : 109-320 Surface treatment : Nickel-chrome plating (silver) Color

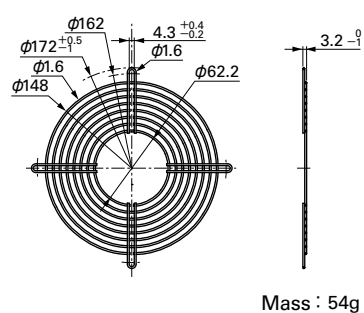
Outlet side



Mass : 53g

Model : 109-1068 Surface treatment : Nickel-chrome plating (silver) Color

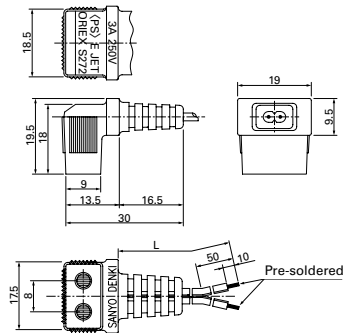
Outlet side



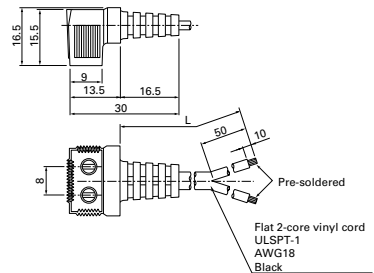
Mass : 54g

### Plug Cord

(Products compliant with Electrical Appliance and Material Safety Law) Model : 489-1619-L10/489-1619-L21



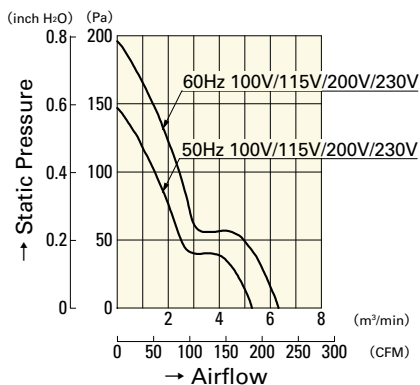
(UL/CSA CERTIFIED) UL FILE No. E50197 CSA FILE No. LR67048 Model : 489-084-L10/489-084-L21



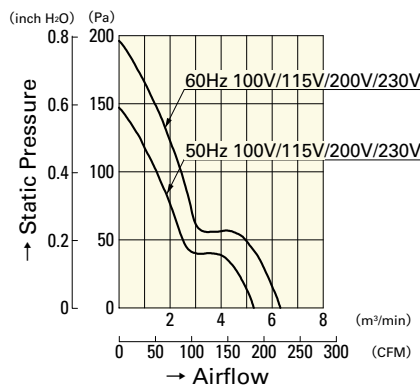
Model	Power cord length (L) [mm]	Mass [g]
489-1619-L10	1,000	34
489-1619-L21	2,100	64
489-084-L10	1,000	37
489-084-L21	2,100	70

## Airflow - Static Pressure Characteristics

### Standard



### with Sensor



109-311 109-314  
109-312 109-313

109-371 109-374  
109-372 109-373