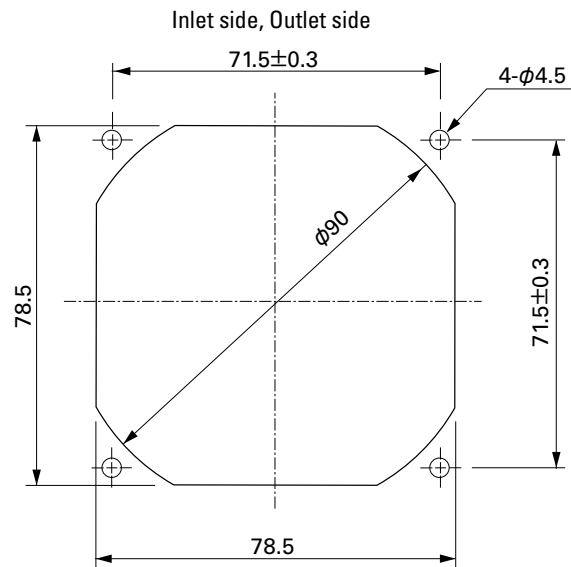


## Reference Dimensions of Mounting Holes and Vent Opening (unit: mm)



## Options (unit: mm)

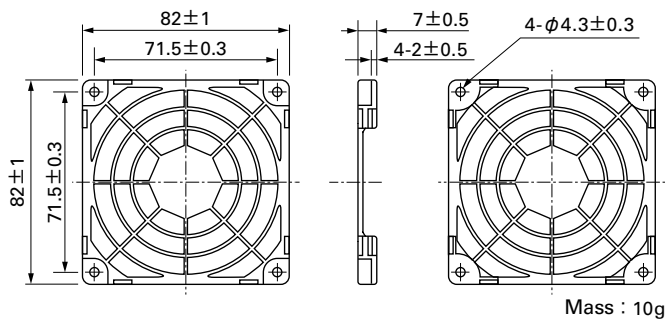
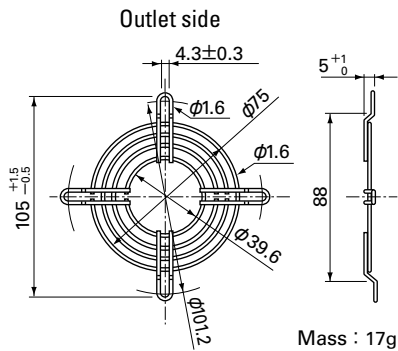
### Finger Guards

Model : 109-049C Surface treatment : Nickel-chrome plating (silver) Color

Color

### Resin Finger Guards

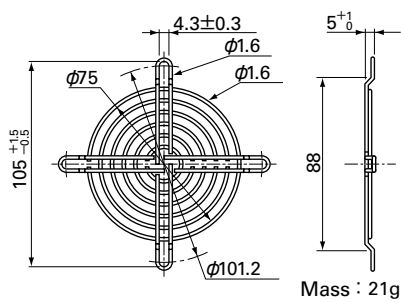
Model : 109-1002G



Model : 109-049E Surface treatment : Nickel-chrome plating (silver) Color  
: 109-049H : Cation electropainting (black)

Color

Inlet side, Outlet side



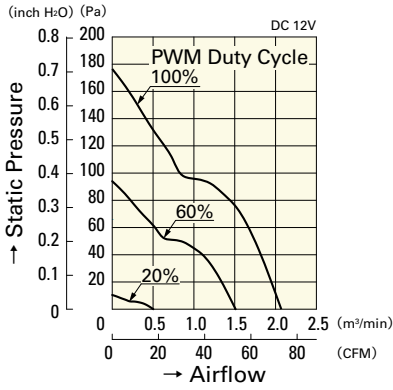
**80**mm sq.

**San Ace 80W**

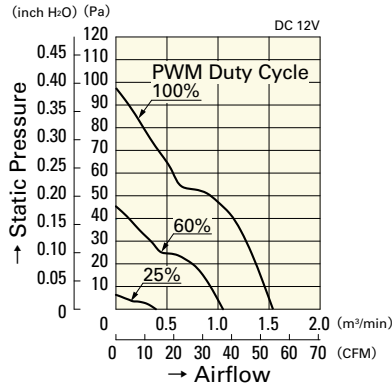
**80×80×25mm** [Mass : 150g]

**Airflow - Static Pressure Characteristics**

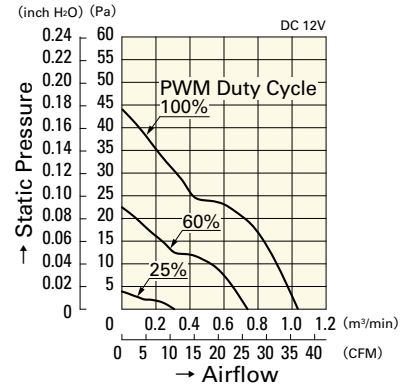
**PWM Duty Cycle**



**9WL0812P4J001**

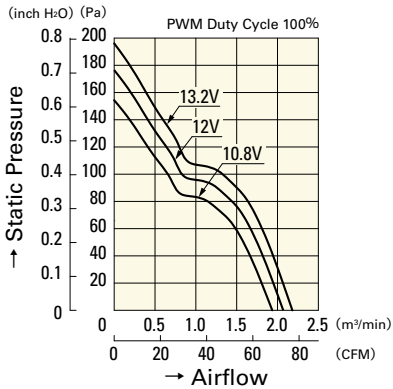


**9WL0812P4G001**

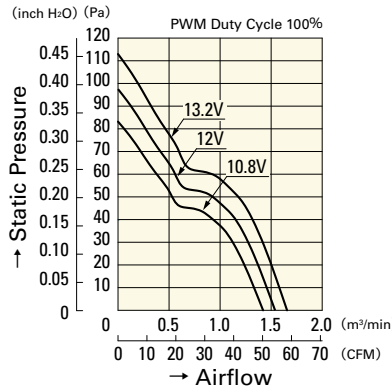


**9WL0812P4H001**

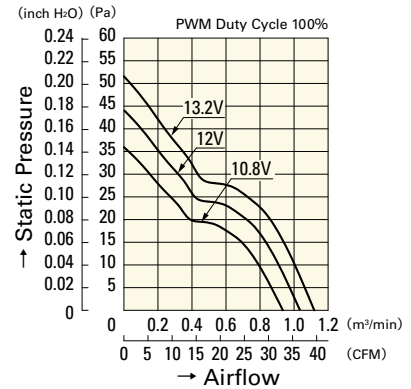
**Operating Voltage Range**



**9WL0812P4J001**

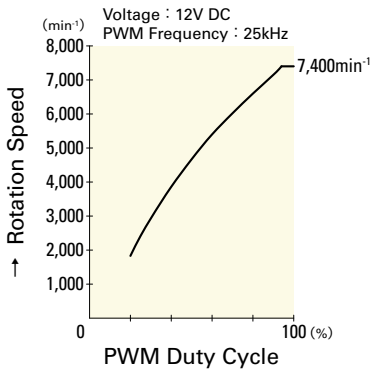


**9WL0812P4G001**

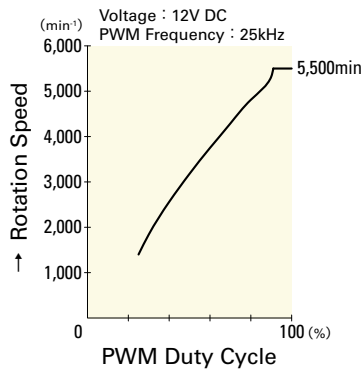


**9WL0812P4H001**

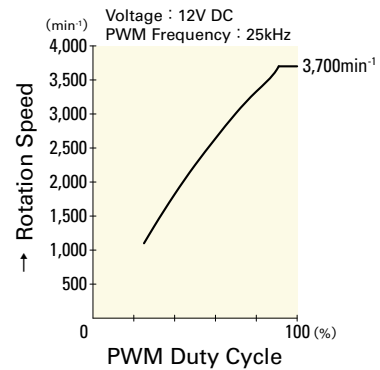
**PWM Duty - Speed Characteristics Example**



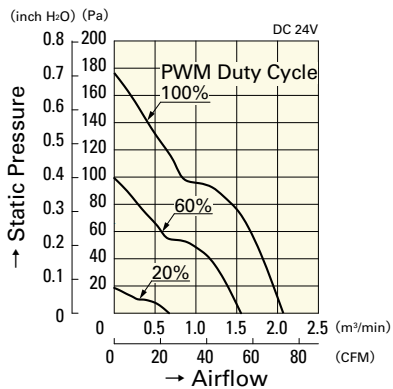
**9WL0812P4J001**



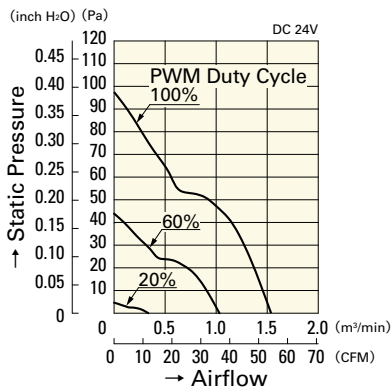
**9WL0812P4G001**



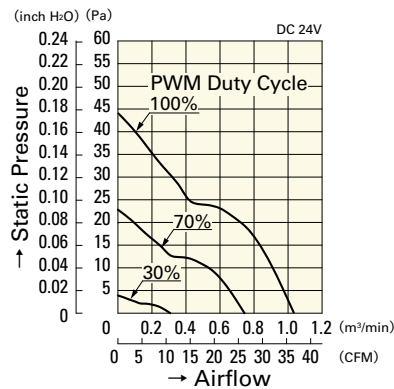
**9WL0812P4H001**



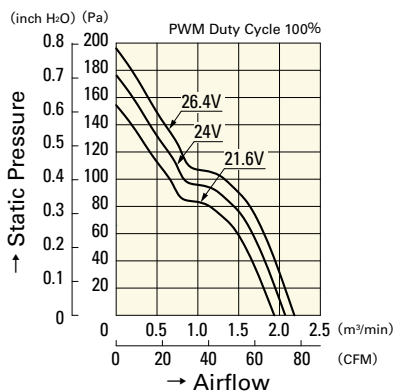
9WL0824P4J001



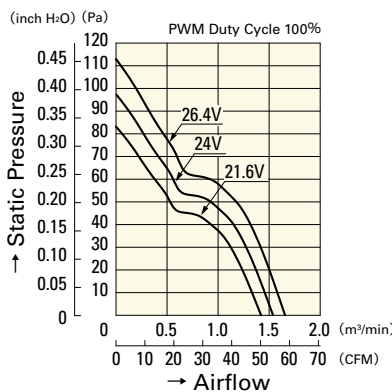
9WL0824P4G001



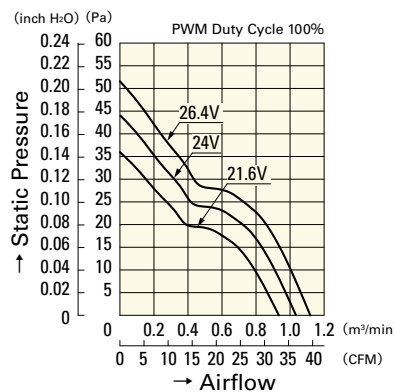
9WL0824P4H001



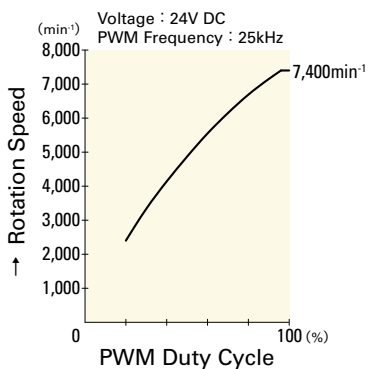
9WL0824P4J001



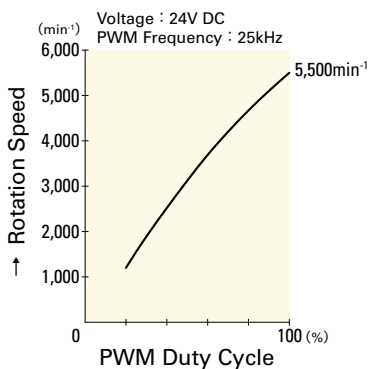
9WL0824P4G001



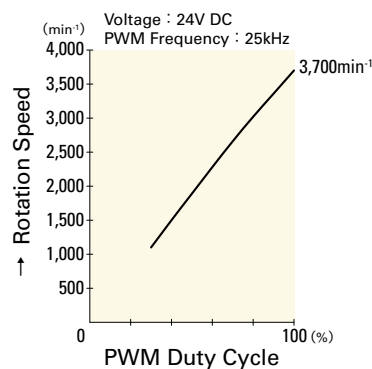
9WL0824P4H001



9WL0824P4J001



9WL0824P4G001



9WL0824P4H001