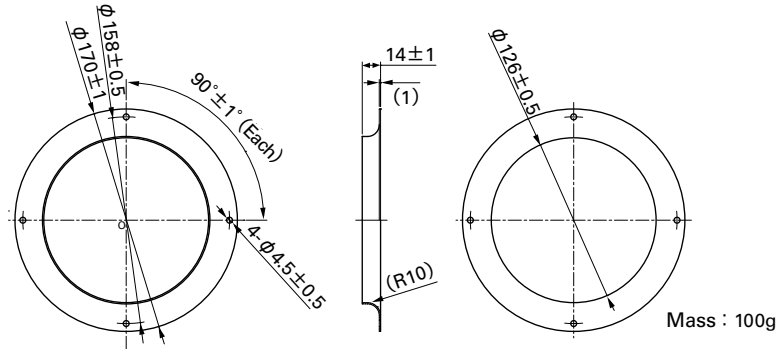


**Options (unit: mm)**

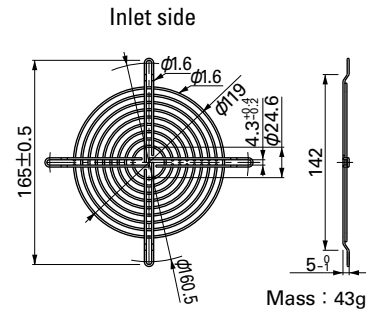
**Inlet Nozzle**

Model : 109-1073 Material : Steel sheet Surface treatment : Electro nickel plating (silver)  
 : 109-1073H : Steel sheet : Cation electropainting (black)



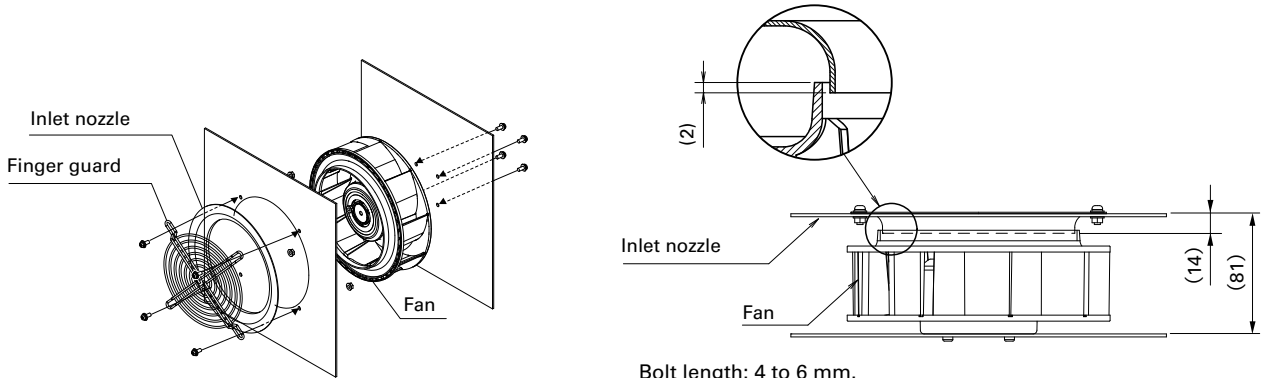
**Finger Guards**

Model : 109-722 Surface treatment : Nickel-chrome plating (silver) Color (silver)



Inlet nozzle: Equipment to be mounted in inlet side for adjusting incoming airflow.

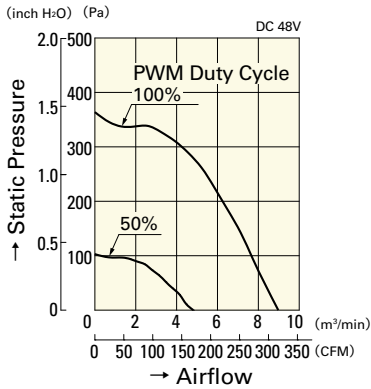
**Reference Diagram for Mounting**



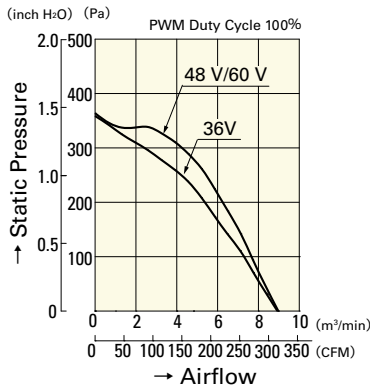
Bolt length: 4 to 6 mm.  
 To prevent bolts from loosening, use plain washers and spring washers.

**Airflow - Static Pressure Characteristics**

**PWM Duty Cycle**



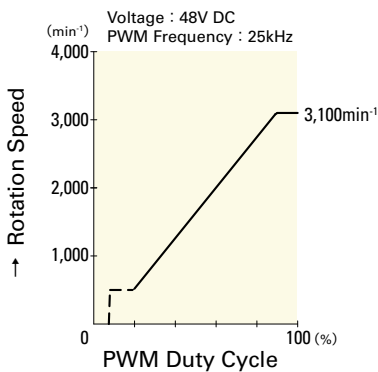
**Operating Voltage Range**



**9W1TG48P0H61**

**9W1TG48P0H61**

**PWM Duty Speed Characteristics Example**



**9W1TG48P0H61**