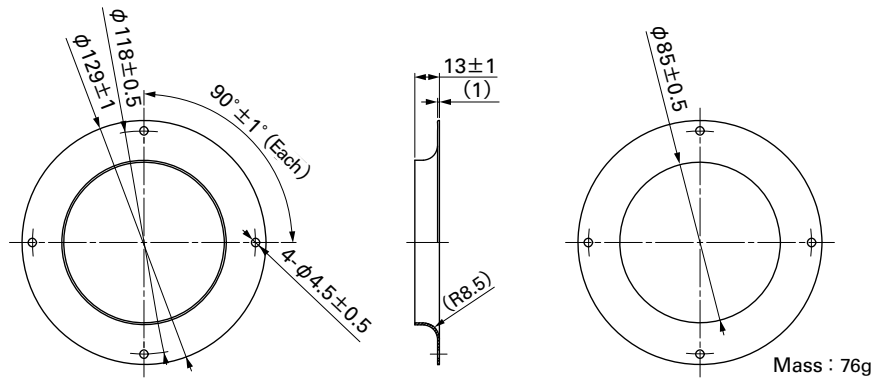


**Options (unit: mm)**

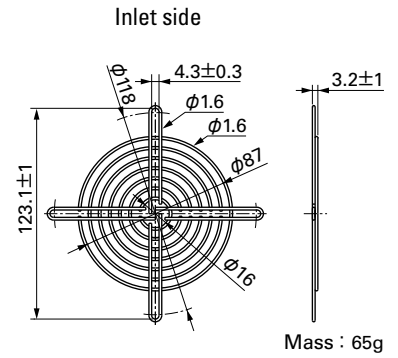
**Inlet Nozzle**

Model: 109-1069 Material: Steel sheet Surface treatment: Electro nickel plating (silver)  
 : 109-1069H : Steel sheet : Cation electropainting (black)



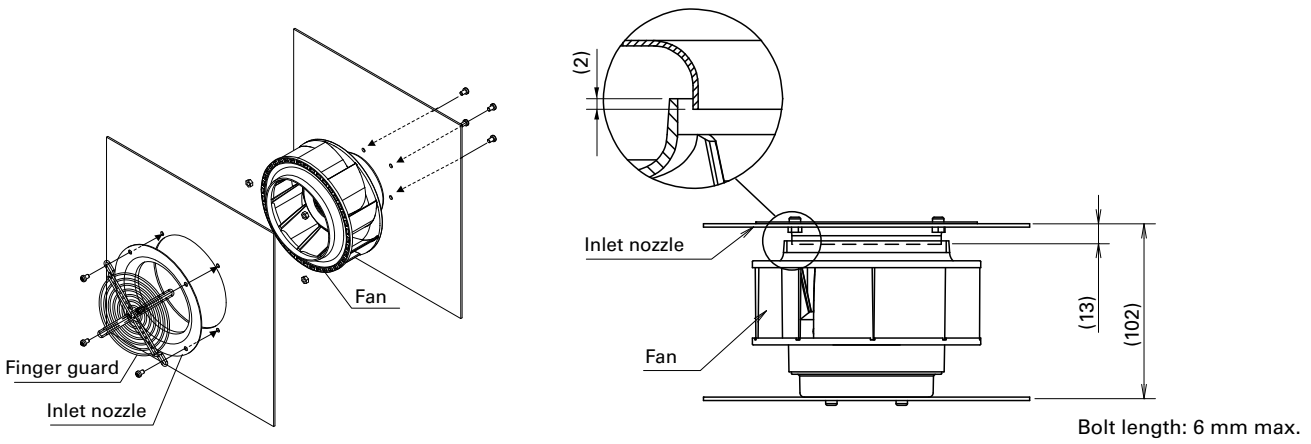
**Finger Guards**

Color: Nickel-chrome plating (silver)  
 Model: 109-1112 Surface treatment: Nickel-chrome plating (silver)



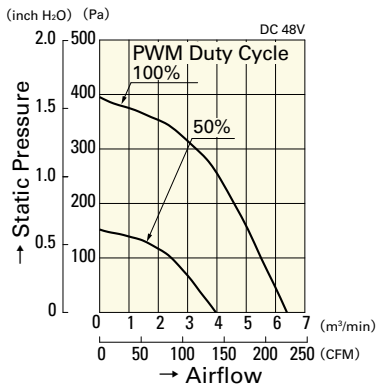
Inlet nozzle: Equipment to be mounted in inlet side for adjusting incoming airflow.

**Reference Diagram for Mounting**

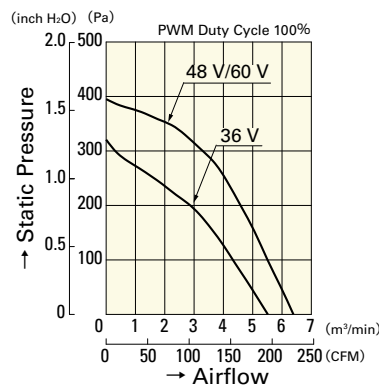


**Airflow - Static Pressure Characteristics**

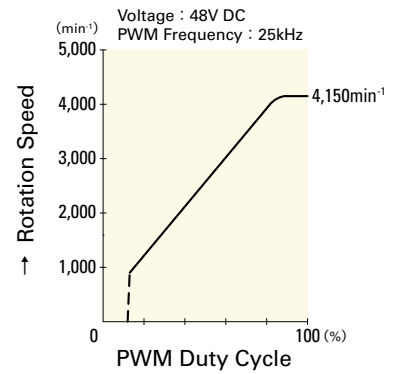
**PWM Duty Cycle**



**Operating Voltage Range**



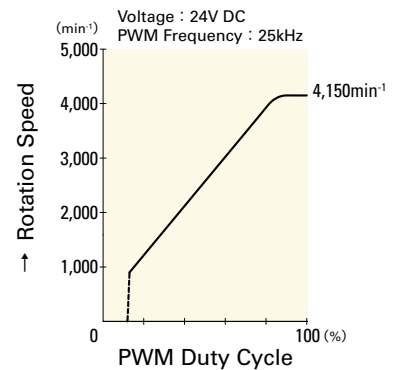
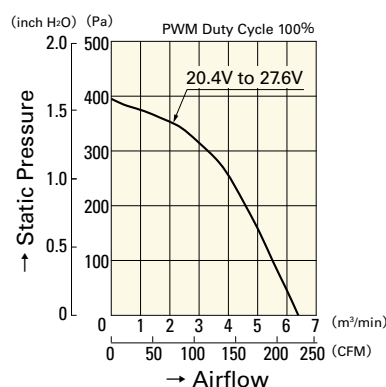
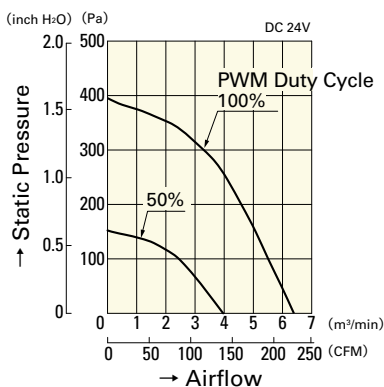
**PWM Duty Speed Characteristics Example**



**9W1TJ48P0H61**

**9W1TJ48P0H61**

**9W1TJ48P0H61**



**9W1TJ24P0H61**

**9W1TJ24P0H61**

**9W1TJ24P0H61**